



## EGF-H SERIES

PN6 Gas Filter

**ESKA**  
VALVE

[www.eskavalve.com](http://www.eskavalve.com)



# EGF-H SERIES

## PN6 Gas Filter

Patented Design

Changeable Filter

%100 Quality Control



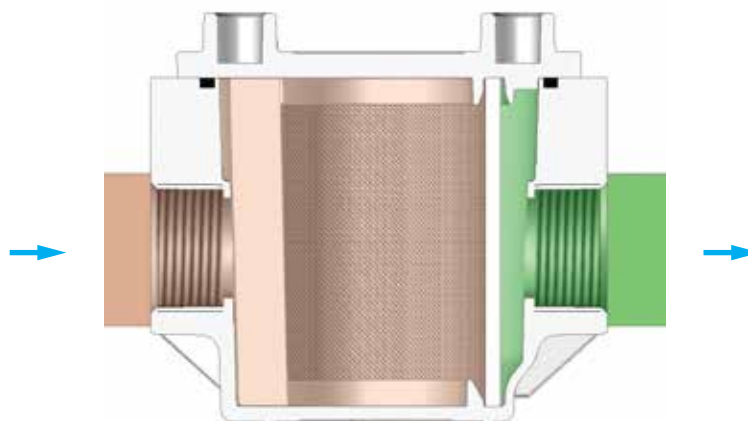
### INTRODUCTORY AND TECHNICAL INFORMATION

- Usage: City gas networks and gas pipelines in industrial areas
- Fluid Type: Second Family Group H Medium - Non-corrosive gases such as Natural Gas (Methane), LPG, Propane, Butane, Town Gas, Air, etc...
- Pressure Class: PN6
- Connection or Port Size: 1/2", 3/4, 1" Threaded (Female)
- Inlet Pressure Range: 50mbar up to 6 bar
- Filter: Pore dimensions as standard 50 micron (5-10-20 microns on request)
- Ambient Temperature: -20°C up to 60°C
- Way: 2/2
- Pressure Test Connection: 1/4" Threaded (Female)
- Material Standard: Aluminum EN 1706, rubbers EN 549
- Materials: Body and cover EN AC-46100 Aluminum or Zamak 3 material, rubber materials NBR, filter bracket metal
- According to Directives: 2009/142/EC
- EG-H model gas filters are the elements that separates the dust particles carried by the gas or very small particles spread within the gas (for example: dust and rust), holds these and protects the burner, gas counter and adjustment devices which may possibly be damaged. Dust, woodchips, smut and other physical substances and dirt in the gas are held by the fiber. When the dust tank capacity is exceeded or a very high pressure difference effected, the filter loses its filter protection function. The filters are resistant against the mechanical and thermal stress that occur under operational conditions. The device must be kept away from rain and water as much as possible.



MODEL NAME	UNIT WEIGHT	BOX SIZE (LxWxH cm)
EGF-H 1015	0,750 kg	13x12,5x13
EGF-H 1020	0,750 kg	13x12,5x13
EGF-H 1025	0,750 kg	13x12,5x13

### FLOW DIRECTIONS





# EGF-H SERIES

## PN6 Gas Filter

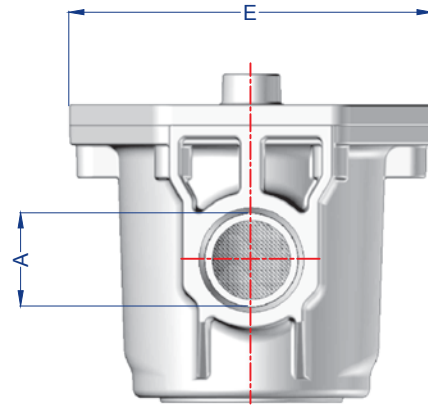
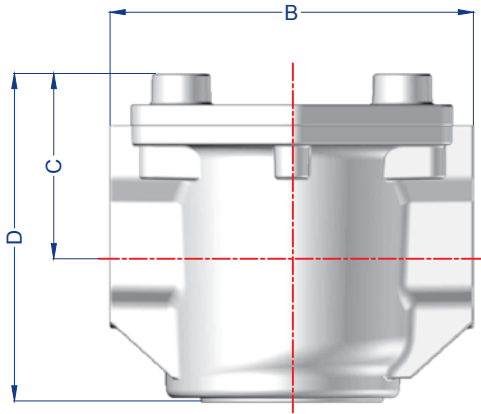
Patented Design

Changeable Filter

%100 Quality Control



### DIMENSIONS (mm)



MODEL	DN	A	B	C	D	E
EGF-H 1015	15	1/2"	120	61,5	108,5	120
EGF-H 1020	20	3/4"	120	61,5	108,5	120
EGF-H 1025	25	1"	120	61,5	108,5	120

### SIMILAR PRODUCTS



**EGF**